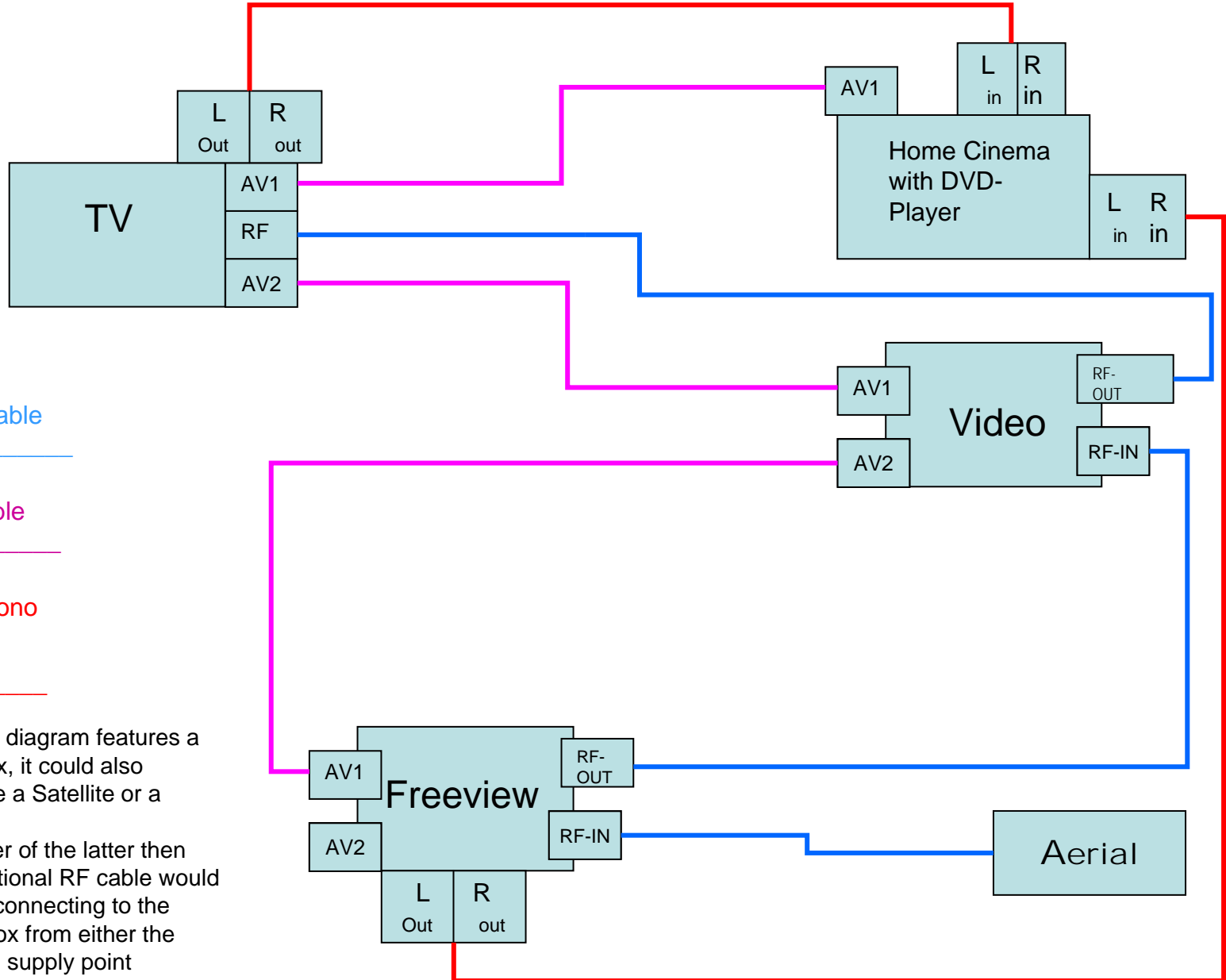


How do I connect

I have a TV with two scart sockets and also a Home Cinema System with Integrated DVD player, a Video Recorder and a Freeview Box. The Home Cinema has more than 1 audio phono input. How should I connect them?

Panasonic ideas for life



Aerial Cable

Scart Cable

Audio Phono
cable

Although the diagram features a Freeview box, it could also potentially be a Satellite or a Cable box.

If it was either of the latter then note an additional RF cable would be required connecting to the respective box from either the dish or cable supply point