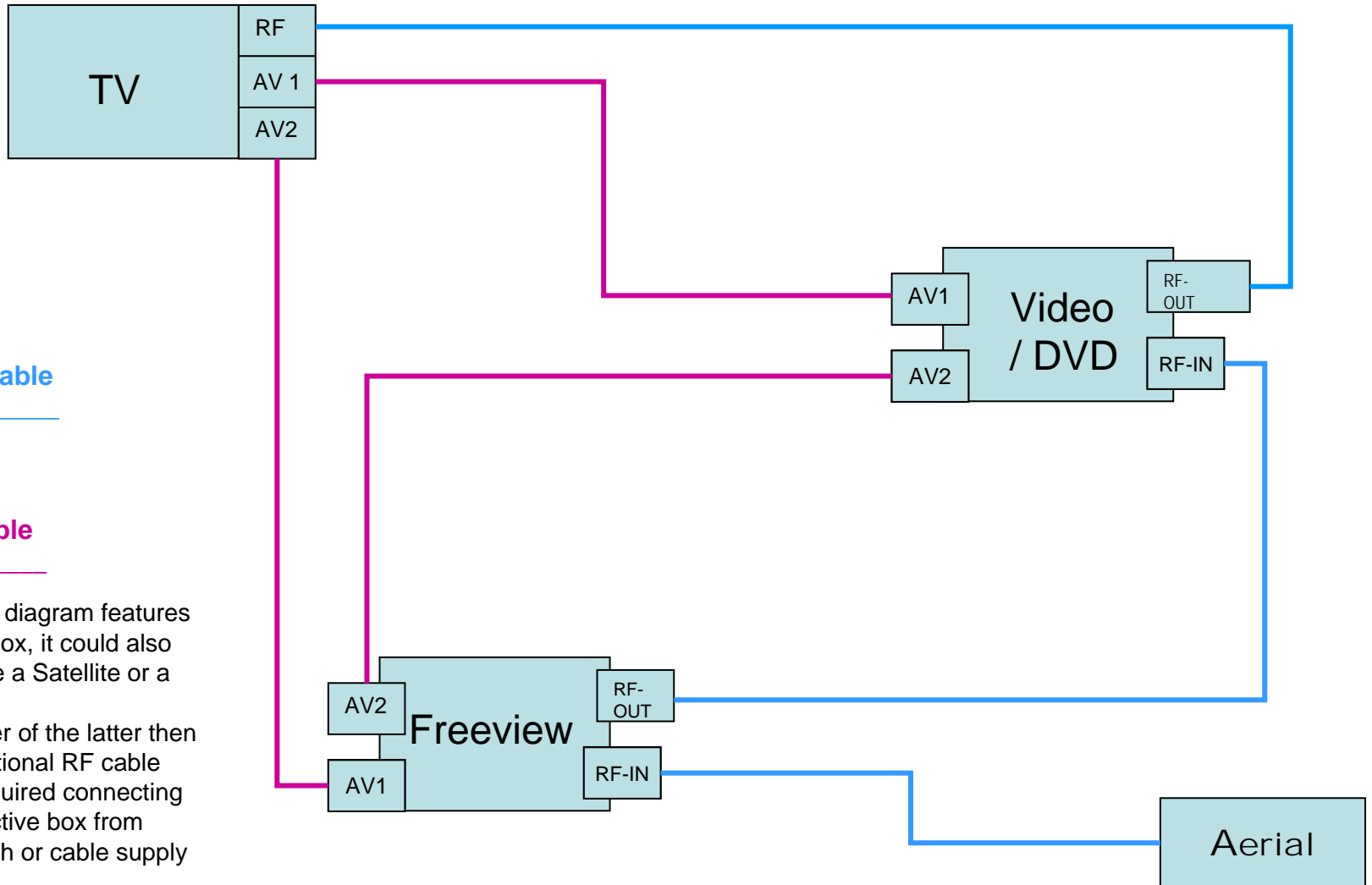


# How do I connect .....

I have a TV with two scart sockets, a Freeview Box and either a DVD or Video Recorder. How should I connect them?

# Panasonic ideas for life



**Aerial Cable**

**Scart Cable**

Although the diagram features a Freeview box, it could also potentially be a Satellite or a Cable box.

If it was either of the latter then note an additional RF cable would be required connecting to the respective box from either the dish or cable supply point