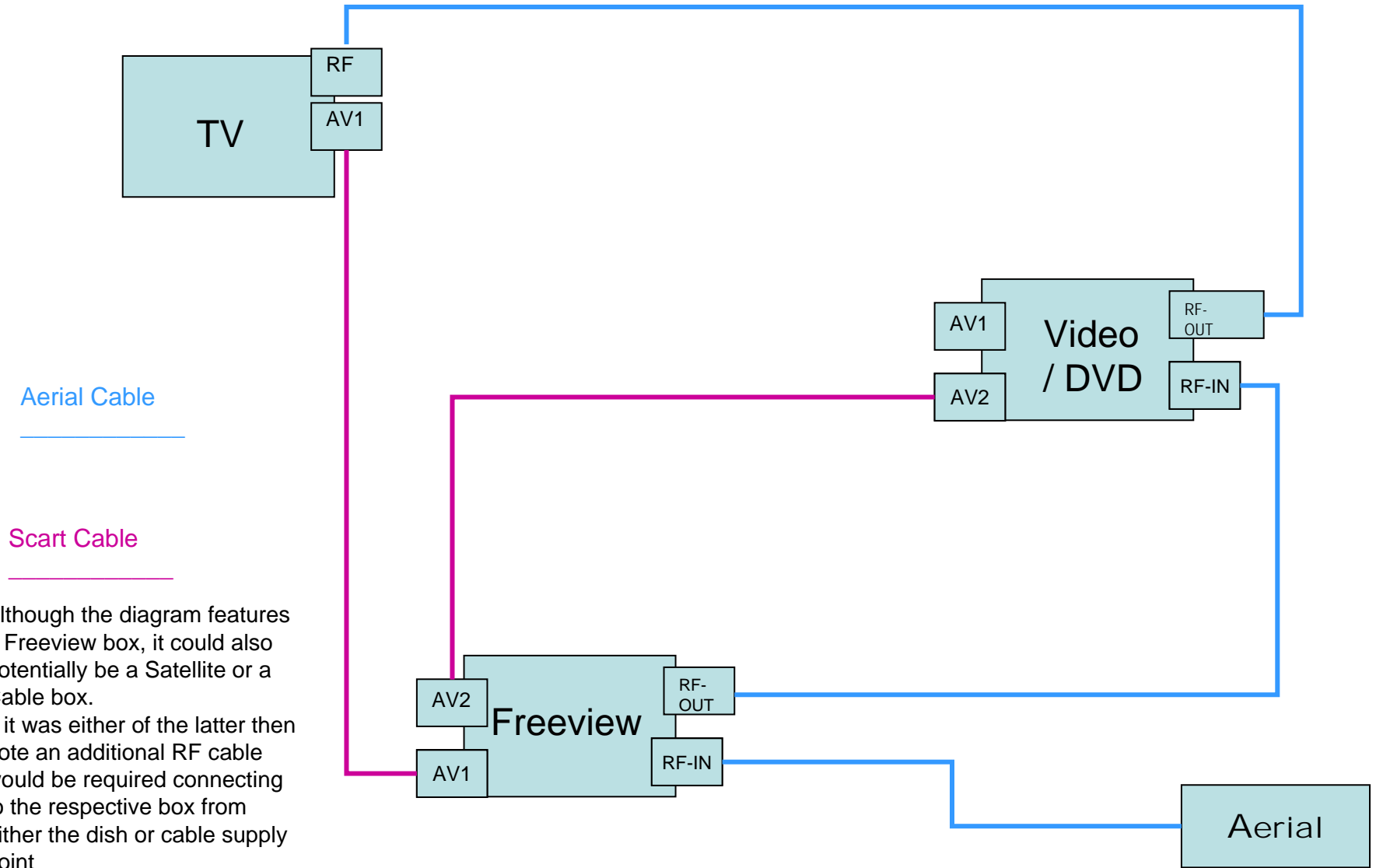


How do I connect

I have a TV with one scart socket, a Freeview Box and either a DVD or Video Recorder and I want to connect the Freeview Box via scart. How should I connect them?

Panasonic ideas for life



Although the diagram features a Freeview box, it could also potentially be a Satellite or a Cable box. If it was either of the latter then note an additional RF cable would be required connecting to the respective box from either the dish or cable supply point