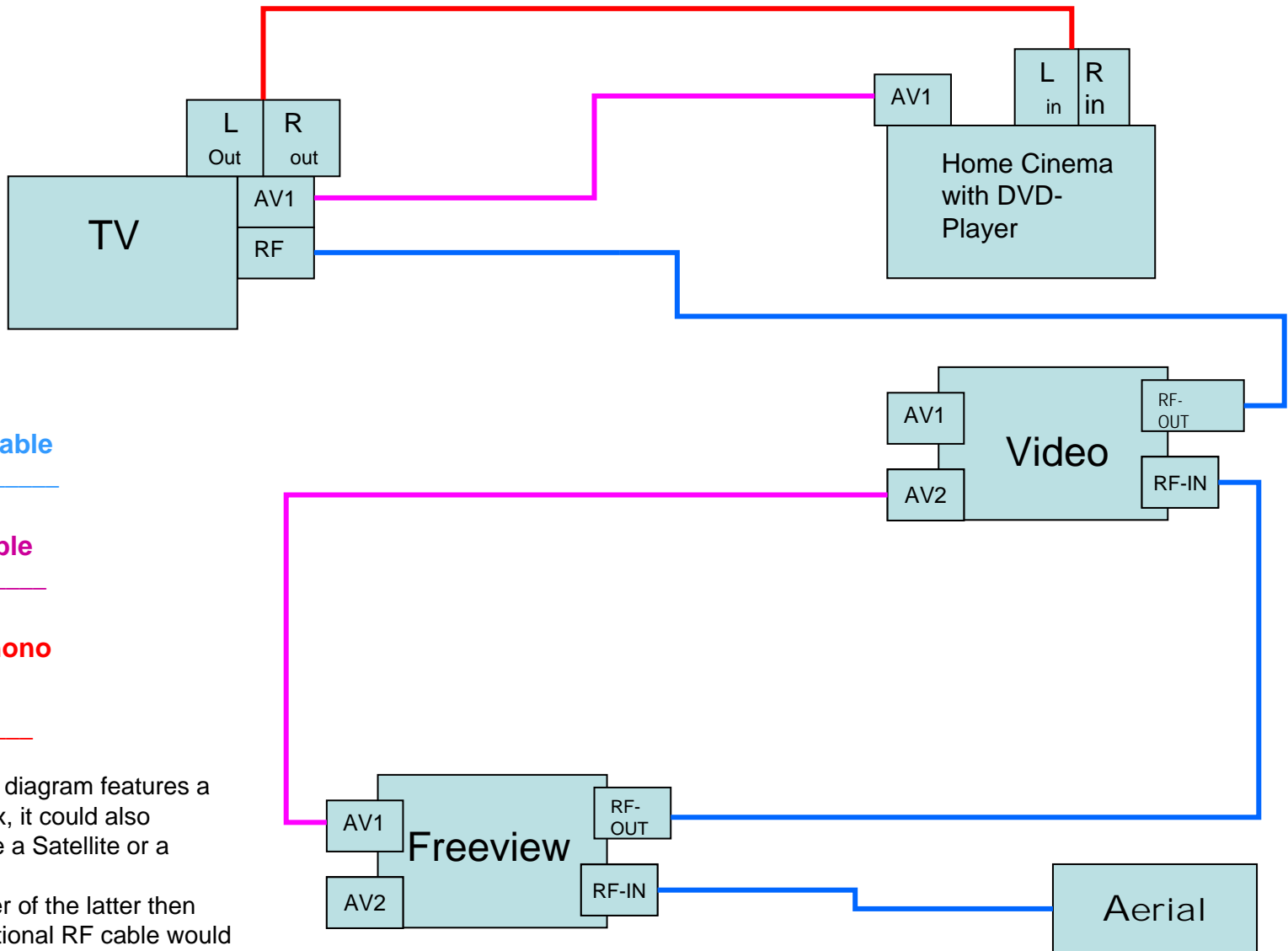


How do I connect

I have a TV with one scart socket and also a Home Cinema System with Integrated DVD player, a Video Recorder and a Freeview Box. The Home Cinema only has one audio phone input. How should I connect them?

Panasonic ideas for life



Aerial Cable

Scart Cable

Audio phono cable

Although the diagram features a Freeview box, it could also potentially be a Satellite or a Cable box. If it was either of the latter then note an additional RF cable would be required connecting to the respective box from either the dish or cable supply point